

* Lot Tracing



* Newest Design



for
Plumbing
& Heating
Systems



Visible
Connection



* Strongest Grip



The Perfect Connection Every Time **Twistloc[®]**

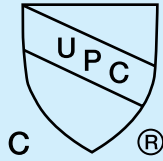


We are committed to constant research and development, and all product specifications in this catalogue are subject to change without notice.

Quality-First Production



- Total quality control is applied to the entire process from the beginning of the initial design process to production, final assembly, post production test and packaging ensuring the very best quality output.
- Based on its quality performance, **Twistloc**® has been accredited by the world leading certification agencies.



Twistloc® which incorporates pressure combined system of push fit and compression, the twist and lock system is suitable for plumbing, local/home potable cold and hot water supply and central heating systems.

Twistloc® fittings are designed to be suitable for 1/4 - 1 1/8 dia. Copper, PEX and CPVC piping. These products have been tested and approved in accordance with:

ASSE 1061-2006 and IGC 188 - 2004,
IGC 157 - 2007
ASME A112.81.1 and CSA B125.1 - 2005,
NSF 14 & 61
ISO 9001TUV

The specification of the products complies with the plumbing and heating building codes across Canada.

Quality Warranty for 25 Years

Twistloc® products under long-term test programs and strict quality standards are backed by a 25-year warranty provided that they are installed to a pipe which have been produced in conformity with the plumbing and heating standards in accordance with installation instructions provided by **Twistloc**®. All products, Push-fit fittings carry a period of twenty-five [25] years and Valves are for ten [10] years limited warranty from the date of original shipment from your **Twistloc**® point of purchase.

All **Twistloc**® products are used in plumbing, potable water, and central heating systems.

Characteristic about quality of the material

Polysulfone polymer for **Twistloc**®

Fittings have traditionally been made of materials such as brass, copper, stainless steel and other plastics. Our fittings can outperform these materials, providing greater design freedom and lower costs in hot water systems for plumbing and heating applications.

Our fittings material offers several advantages not available with others used for high-performance in hot water systems.

This tough, rigid, long-term hydrostatic strength thermoplastic has a high heat deflection temperature and maintains its properties over a wide temperature range. The hydraulic, dimensional and oxidative stability of our base material is superior to those of other engineering polymers.

Our fittings material can resist mineral build-up and corrosion, even in aggressive water environments. This was clearly seen in a field study in Cape Coral, Florida. Working in conjunction with a local code official, a home builder installed a PEX system in a home using fittings made from polysulfone.

In hot water systems, our fittings have very good resistance to prolonged exposure to chlorinated water at temperatures as high as 90°C [194°F] these materials could perform well in hot, chlorinated water delivery systems.

Our **Twistloc®** Fittings Features;

- Excellent thermal stability
- High toughness and strength
- Good environmental stress cracking resistance
- High heat deflection temperature, 345°F [174°C]
- Combustion resistance
- Approved for food contact and potable water [NSF, KTW, WRASI]
- Low creep



PRODUCTS

SR Series



DROP EAR ELBOW

| PART NO | DESCRIPTION | TUBE SIZE | THREAD SIZE |
|---------|----------------------|-----------|-------------|
| SR67101 | 3/8" CTS DROP EAR EL | 3/8" CTS | 1/2" FIP |
| SR67102 | 1/2" CTS DROP EAR EL | 1/2" CTS | 1/2" FIP |



ENLARGER CONNECTOR

| PART NO | DESCRIPTION | TUBE SIZE | STEM SIZE |
|---------|---------------------------|-----------|-----------|
| SR67111 | 3/8" CTS Stack x 1/2" CTS | 1/2" CTS | 3/8" FIP |
| SR67112 | 3/4" CTS Stack x 1" CTS | 1" CTS | 3/4" FIP |



FEMALE ADAPTOR

| PART NO | DESCRIPTION | TUBE SIZE | THREAD SIZE |
|---------|-------------------------|-----------|-------------|
| SR67121 | 3/8" CTS x 1/2" FIP CPL | 3/8" CTS | 1/2" FIP |
| SR67122 | 1/2" CTS x 1/2" FIP | 1/2" CTS | 1/2" FIP |
| SR67123 | 1/2" CTS x 3/4" FIP CPL | 1/2" CTS | 3/4" FIP |
| SR67124 | 3/4" CTS 3/4" FIP | 3/4" CTS | 3/4" FIP |
| SR67125 | 1" CTS x 1" FIP CPL | 1" CTS | 1" FIP |



FEMALE ADAPTER GARDEN HOSE THREAD

| PART NO | DESCRIPTION | TUBE SIZE | THREAD SIZE |
|---------|---------------------|-----------|-------------|
| SR67126 | 1/2" CTS x GH ADAPT | 1/2" CTS | 3/4" GH |



MALE CONNECTOR

| PART NO | DESCRIPTION | TUBE SIZE | THREAD SIZE |
|---------|-------------------------|-----------|-------------|
| SR67131 | 3/8" CTS x 1/2" MIP CPL | 3/8" CTS | 1/2" MIP |
| SR67132 | 1/2" CTS x 1/2" MIP | 1/2" CTS | 1/2" MIP |
| SR67133 | 1/2" CTS x 3/4" MIP CPL | 1/2" CTS | 3/4" MIP |
| SR67134 | 3/4" CTS 3/4" MIP | 3/4" CTS | 3/4" MIP |
| SR67135 | 1" CTS x 1" MIP CPL | 1" CTS | 1" MIP |



MALE ELBOW

| PART NO | DESCRIPTION | TUBE SIZE | THREAD SIZE |
|---------|------------------------|-----------|-------------|
| SR67141 | 1/2" CTS x 1/2" MIP EL | 1/2" CTS | 1/2" MIP |



REDUCING CONNECTOR

| PART NO | DESCRIPTION | TUBE SIZE | STEM SIZE |
|---------|--------------------------|-----------|-----------|
| SR67151 | 1/4" CTS x 1/2" CTS STEM | 1/4" CTS | 1/2" CTS |
| SR67152 | 3/8" CTS x 1/2" CTS STEM | 3/8" CTS | 1/2" CTS |
| SR67153 | 1/2" CTS x 3/4" CTS STEM | 1/2" CTS | 3/4" CTS |



SWIVEL ELBOW UNION

| PART NO | DESCRIPTION | TUBE SIZE | THREAD SIZE |
|---------|-------------------------------|-----------|-------------|
| SR67161 | 1/2" CTS x 1/2" FIP EL | 1/2" CTS | 1/2" NPS |
| SR67162 | 1/2" CTS x GH ADAPT SWIVEL EL | 1/2" CTS | 3/4" FGH |
| SR67163 | 1/2" CLOSET ADP EL | 1/2" CTS | 3/4" Closet |



SWIVEL ELBOW UNION - Brass Nut

| PART NO | DESCRIPTION | TUBE SIZE | THREAD SIZE |
|----------|-------------------------------|-----------|-------------|
| SR67161B | 1/2" CTS x 1/2" FIP EL | 1/2" CTS | 1/2" NPS |
| SR67162B | 1/2" CTS x GH ADAPT SWIVEL EL | 1/2" CTS | 3/4" FGH |
| SR67163B | 1/2" CLOSET ADP EL | 1/2" CTS | 3/4" Closet |



SWIVEL UNION CONNECTOR

| PART NO | DESCRIPTION | TUBE SIZE | THREAD SIZE |
|---------|-----------------|-----------|-------------|
| SR67171 | 1/2" CLOSET ADP | 1/2" CTS | 3/4" Closet |

PRODUCTS

SR Series



SWIVEL UNION CONNECTOR - Brass Nut

| PART NO | DESCRIPTION | TUBE SIZE | THREAD SIZE |
|----------|----------------------------|-----------|-------------|
| SR67171B | 1/2" CTS x 1/2" FIP EL | 1/2" CTS | 1/2" NPS |
| SR67172B | 1/2" CTS x GH ADAPT SWIVEL | 1/2" CTS | 3/4" FGH |
| SR67173B | 1/2" CLOSET ADP | 1/2" CTS | 3/4" Closet |



TUBE END STOP

| PART NO | DESCRIPTION | TUBE SIZE |
|---------|-------------------|-----------|
| SR67181 | 1/2" CTS END STOP | 1/2" CTS |
| SR67182 | 3/4" CTS END STOP | 3/4" CTS |
| SR67183 | 1" CTS END STOP | 1" CTS |



TUBE ELBOW UNION

| PART NO | DESCRIPTION | TUBE SIZE | STEM SIZE |
|---------|--------------------------|-----------|-----------|
| SR67191 | 1/2" CTS x 1/2" CTS STEM | 1/2" CTS | 1/2" CTS |
| SR67192 | 3/4" CTS x 3/4" CTS STEM | 3/4" CTS | 3/4" CTS |



ELBOW UNION

| PART NO | DESCRIPTION | TUBE SIZE | TUBE SIZE |
|---------|---------------------|-----------|-----------|
| SR67201 | 3/8" CTS ELBOW | 3/8" CTS | 3/8" CTS |
| SR67202 | 1/2" CTS EII UNION | 1/2" CTS | 1/2" CTS |
| SR67203 | 3/4" CTS EII UNION | 3/4" CTS | 3/4" CTS |
| SR67204 | 1" CTS ELBOW | 1" CTS | 1" CTS |
| SR67205 | 3/4" CTS x 1/2" CTS | 3/4" CTS | 1/2" CTS |



TUBE TEE UNION CONNECTOR

| PART NO | DESCRIPTION | TUBE SIZE A | TUBE SIZE B | STEM SIZE C |
|---------|---------------------------|--------------------|--------------------|--------------------|
| SR67210 | 1/2" CTS STACK-BRANCH TEE | 1/2" CTS | 1/2" CTS | 1/2" CTS |



TUBE TEE UNION

| PART NO | DESCRIPTION | TUBE SIZE A | TUBE SIZE B | STEM SIZE C |
|---------|--------------------|-------------|-------------|-------------|
| SR67211 | 1/2" CTS STACK-TEE | 1/2" CTS | 1/2" CTS | 1/2" CTS |
| SR67212 | 3/4" CTS STACK-TEE | 3/4" CTS | 3/4" 3/4 | 3/4" CTS |



UNION CONNECTOR

| PART NO | DESCRIPTION | TUBE SIZE | TUBE SIZE |
|---------|---------------------------|-----------|-----------|
| SR67221 | 3/8" CTS UNION | 3/8" CTS | 3/8" CTS |
| SR67222 | 1/2" CTS x 3/8" CTS UNION | 1/2" CTS | 3/8" CTS |
| SR67223 | 1/2" CTS UNION | 1/2" CTS | 1/2" CTS |
| SR67224 | 3/4" CTS x 1/2" CTS UNION | 3/4" CTS | 1/2" CTS |
| SR67225 | 3/4" CTS UNION | 3/4" CTS | 3/4" CTS |
| SR67226 | 1" CTS x 3/4" CTS UNION | 1" CTS | 3/4" CTS |
| SR67227 | 1" CTS x 1" CTS UNION | 1" CTS | 1" CTS |



TUBE TEE UNION

| PART NO | DESCRIPTION | TUBE SIZE A | TUBE SIZE B | TUBE SIZE C |
|---------|--------------------------------|-------------|-------------|-------------|
| SR67301 | 3/8" CTS TEE | 3/8" CTS | 3/8" CTS | 3/8" CTS |
| SR67302 | 1/2" CTS x 1/2" x 1/4" OD TEE | 1/2" CTS | 1/2" CTS | 1/4" OD |
| SR67303 | 1/2" CTS TEE | 1/2" CTS | 1/2" CTS | 1/2" CTS |
| SR67304 | 3/4" CTS x 3/4" x 1/2" OD TEE | 3/4" CTS | 3/4" CTS | 1/2" CTS |
| SR67305 | 3/4" CTS TEE | 3/4" CTS | 3/4" CTS | 3/4" CTS |
| SR67306 | 1" CTS TEE | 1" CTS | 1" CTS | 1" CTS |
| SR67307 | 1" CTS x 3/4" CTS x 3/4" CTS | 1" CTS | 3/4" CTS | 3/4" CTS |
| SR67308 | 1" CTS x 3/4" CTS x 1" CTS | 1" CTS | 3/4" CTS | 1" CTS |
| SR67309 | 1" CTS x 1" CTS x 3/4" CTS | 1" CTS | 1" CTS | 3/4" CTS |
| SR67310 | 3/4" CTS x 1/2" CTS x 1/2" CTS | 3/4" CTS | 1/2" CTS | 1/2" CTS |

PRODUCTS

SV Series



HAND VALVE FEMALE ADAPTER

| PART NO | DESCRIPTION | TUBE SIZE | THREAD SIZE |
|---------|---------------------|-----------|-------------|
| SV67101 | 1/4" CTS x 1/2" FIP | 1/4" CTS | 1/2" NPS |



HAND VALVE ELBOW UNION

| PART NO | DESCRIPTION | TUBE SIZE | TUBE SIZE |
|---------|---------------------------------|-----------|-----------|
| SV67211 | Angle Valve 1/4" CTS x 1/2" CTS | 1/4" CTS | 1/2" CTS |
| SV67212 | Angle Valve 3/8" CTS x 1/2" CTS | 3/8" CTS | 1/2" CTS |



HAND VALVE UNION CONNECTOR

| PART NO | DESCRIPTION | TUBE SIZE | THREAD SIZE |
|---------|------------------------------------|-----------|-------------|
| SV67221 | 3/8" CTS VALVE UNION | 3/8" CTS | 3/8" CTS |
| SV67222 | 1/2" CTS x 1/4" OD VALVE | 1/2" CTS | 1/4" OD |
| SV67223 | 1/2" CTS VALVE | 1/2" CTS | 1/2" CTS |
| SV67224 | 3/4" PUSH STRAIGHT VALVE | 3/4" CTS | 3/4" CTS |
| SV67225 | 1/2" CTS x 3/8" CTS STRAIGHT VALVE | 1" CTS | 3/8" CTS |

AVT Series



SLIP TEE VALVE

| PART NO | DESCRIPTION | TUBE SIZE | THREAD SIZE |
|-----------|----------------------------|-----------|-------------|
| AVT67665S | 1/2"CTS x 1/2"CTS x 1/4"OD | 1/2" CTS | 1/2" CTS |
| AVT67445S | 3/4"CTS x 3/4"CTS 1/4"OD | 3/4" CTS | 3/4" CTS |

AVA Series



SADDLE VALVE

| PART NO | DESCRIPTION | TUBE SIZE | THREAD SIZE |
|-----------|----------------------------------|-----------|-------------|
| AVA6753CP | 9/16"MNPT x 9/16"FNPT x 1/4" CTS | 3/8" CTS | 3/8" CTS |

SMF Manifold Series



SINGLE CLOSE MANIFOLDS

| PART NO | DESCRIPTION | SUPPLY LINE | DISTRIBUTION LINES | PORTS |
|-------------|-----------------|-------------|--------------------|----------------|
| SMF6706S3PC | 1"CTS x 1/2"CTS | 1" CTS | 1/2" CTS | 3 SINGLE CLOSE |
| SMF6706S4PC | 1"CTS x 1/2"CTS | 1" CTS | 1/2" CTS | 4 SINGLE CLOSE |
| SMF6706S5PC | 1"CTS x 1/2"CTS | 1" CTS | 1/2" CTS | 5 SINGLE CLOSE |
| SMF6706S6PC | 1"CTS x 1/2"CTS | 1" CTS | 1/2" CTS | 6 SINGLE CLOSE |



SINGLE OPEN MANIFOLDS

| PART NO | DESCRIPTION | SUPPLY LINE | DISTRIBUTION LINES | PORTS |
|------------|-----------------|-------------|--------------------|---------------|
| SMF6706S3P | 1"CTS x 1/2"CTS | 1" CTS | 1/2" CTS | 3 SINGLE OPEN |
| SMF6706S4P | 1"CTS x 1/2"CTS | 1" CTS | 1/2" CTS | 4 SINGLE OPEN |
| SMF6706S5P | 1"CTS x 1/2"CTS | 1" CTS | 1/2" CTS | 5 SINGLE OPEN |
| SMF6706S6P | 1"CTS x 1/2"CTS | 1" CTS | 1/2" CTS | 6 SINGLE OPEN |



DUAL OPEN MANIFOLDS

| PART NO | DESCRIPTION | SUPPLY LINE | DISTRIBUTION LINES | PORTS |
|-------------|-----------------|-------------|--------------------|--------------|
| SMF6706D6P | 1"CTS x 1/2"CTS | 1" CTS | 1/2" CTS | 3 DUAL CLOSE |
| SMF6706D8P | 1"CTS x 1/2"CTS | 1" CTS | 1/2" CTS | 4 DUAL CLOSE |
| SMF6706D10P | 1"CTS x 1/2"CTS | 1" CTS | 1/2" CTS | 5 DUAL CLOSE |
| SMF6706D12P | 1"CTS x 1/2"CTS | 1" CTS | 1/2" CTS | 6 DUAL CLOSE |

PRODUCTS

Accessories



COLLETS

| PART NO | TUBE SIZE |
|---------|-----------|
| SCOL 04 | 1/4" OD |
| SCOL 06 | 1/4" CTS |
| SCOL 07 | 3/8" CTS |
| SCOL 08 | 1/2" CTS |
| SCOL 10 | 3/4" CTS |
| SCOL 12 | 1" CTS |



COLLETS

| PART NO | TUBE SIZE |
|---------|-----------|
| SEBR 04 | 1/4" OD |
| SEBR 06 | 1/4" CTS |
| SEBR 07 | 3/8" CTS |
| SEBR 08 | 1/2" CTS |
| SEBR 10 | 3/4" CTS |
| SEBR 12 | 1" CTS |



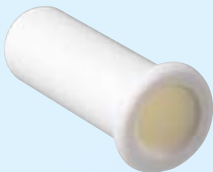
INSERT RING

| PART NO | TUBE SIZE |
|---------|-----------|
| SIR 04 | 1/4" OD |
| SIR 06 | 1/4" CTS |
| SIR 07 | 3/8" CTS |
| SIR 08 | 1/2" CTS |
| SIR 10 | 3/4" CTS |
| SIR 12 | 1" CTS |



COLLETS KIT

| PART NO | TUBE SIZE |
|---------|-----------|
| SCK 04 | 1/4" OD |
| SCK 06 | 1/4" CTS |
| SCK 07 | 3/8" CTS |
| SCK 08 | 1/2" CTS |
| SCK 10 | 3/4" CTS |
| SCK 12 | 1" CTS |



TUBE INSERT

| PART NO | TUBE SIZE |
|---------|-----------|
| STS06 | 1/4" CTS |
| STS07 | 3/8" CTS |
| STS08 | 1/2" CTS |
| STS10 | 3/4" CTS |
| STS12 | 1" CTS |



PIPE BEND

| PART NO | SIZE |
|---------|----------------|
| SPB 08 | Up to 1/2" CTS |



HEAVY PIPE CUTTER

| PART NO | TUBE SIZE |
|---------|----------------|
| TLC-HPC | Up to 15/8" OD |



EPDM CONE RING

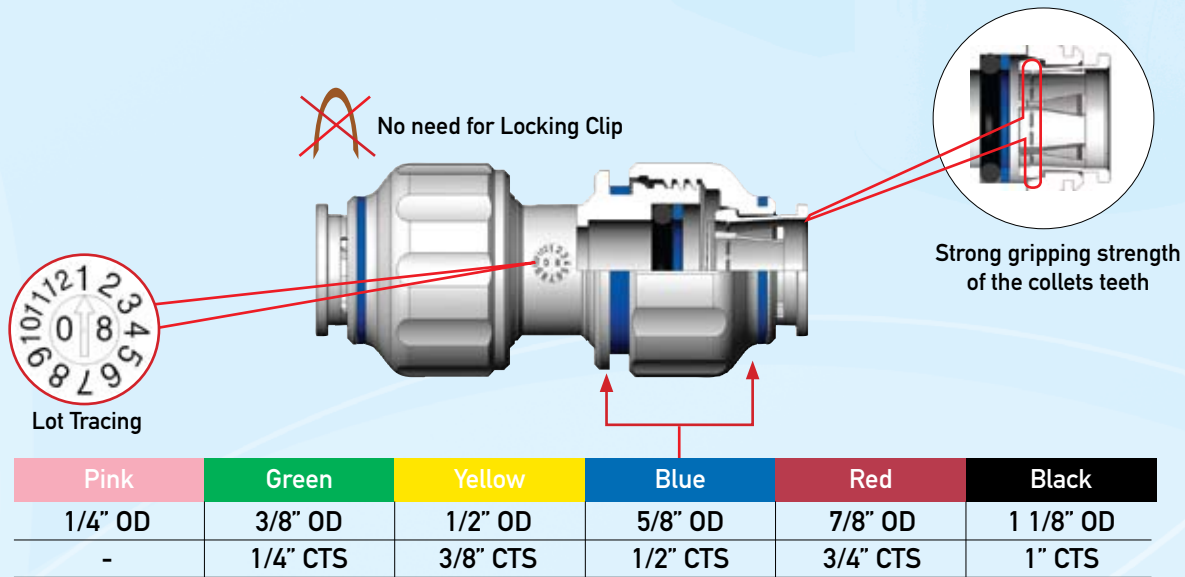
| PART NO | TUBE SIZE |
|----------|-----------|
| SEBCR 07 | 1/4" BSP |
| SEBCR 09 | 3/4" BSP |
| SEBCR 11 | 1" BSP |



PIPE CUTTER

| PART NO | TUBE SIZE |
|---------|----------------|
| TLC-PC | Up to 3/4" CTS |

System Advantages & Benefits



- Easy recognition of size by colour
- Easy verification of coupling [lock/unlock] status at a long distance
- All white system
- Removable and re-usable without damage to plumbing or fittings
- Light weight for easy handling at sites
- Strong Gripping suitable for heating systems
- Lot Tracing on all products
- Pipe fittings provide easy installation in hard access areas
- No risk of flame or fire from a blowtorch
- Permanent anti-leak connection
- No corrosion
- No scale deposits
- Low heat diffusion ensures safe surface temperature
- Plumbing flexibility reduces the risk of burst under freezing temperature
- No lead, non toxic
- Patent Pending
- Use of COLLET LOCKING CLIPS not required

Tube Insert

We recommend the use of tube insert for PEX pipe connections with **Twistloc®** fittings.

Fittings & Valves Performance

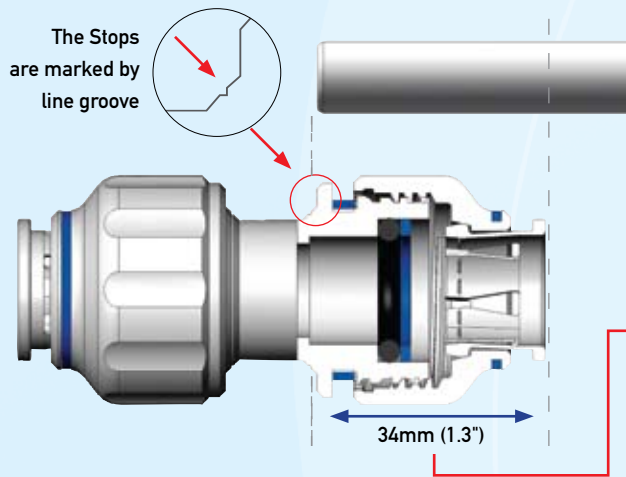
Max. Working Pressure @ Max. Working Temp.

| | | |
|-----------------|----------------|-----------------|
| 250psi @ 73.4°F | 150psi @ 140°F | 100psi @ 180°F |
| 17bar @ 23°C | 10bar @ 60°C | 6.9bar @ 82.2°C |

INSTALLATION GUIDE

Pipe Cutting

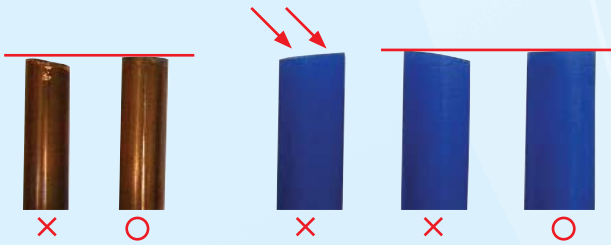
The stops are located in the following distances from the fitting end.



| | SIZE | | TUBE STOP | |
|--------|-----------|----------|-----------|------|
| Pink | 1/4" OD | - | 0.7" | 19mm |
| Green | 3/8" OD | 1/4" CTS | 0.8" | 22mm |
| Yellow | 1/2" OD | 3/8" CTS | 1" | 27mm |
| Blue | 5/8" OD | 1/2" CTS | 1.3" | 34mm |
| Red | 7/8" OD | 3/4" CTS | 1.4" | 36mm |
| Black | 1 1/8" OD | 1" CTS | 1.6" | 41mm |

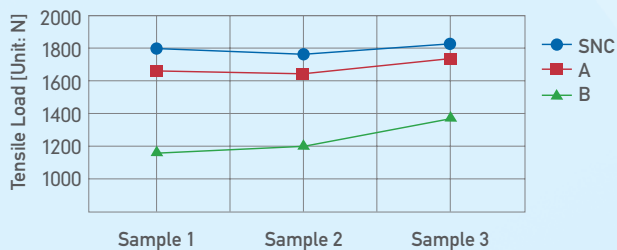
Twistloc® fittings should be in the "unlocked" position, this shown by coloured line which a small gap between the screw cap and the body.

Ensure that there are kept free from scratches, gouges, dirt and debris or any form of damage on the circumference of all fittings.



When cutting tubing, ensure that the ends are cut square and are free of burrs.

Tensile Strength Test



The graph above shows the results of a tensile strength test conducted independently by an independent Laboratory and shows conclusive proof that Twistloc fittings outperform our competitors.

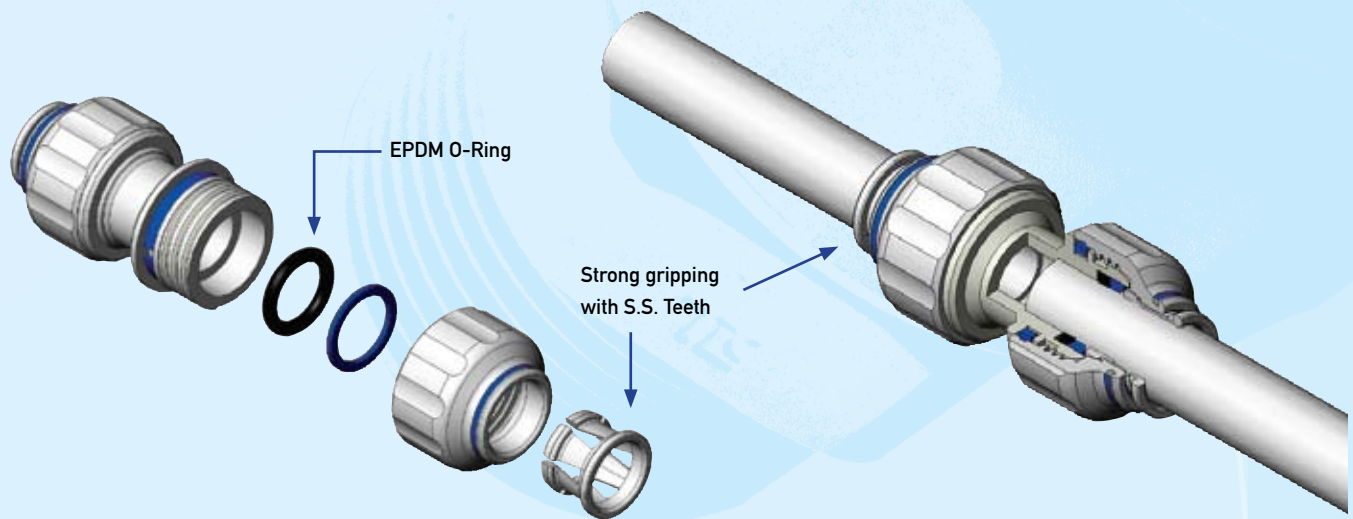
Maximum Torque Figures

The Maximum torque values for threads used on twistloc products are as follows:

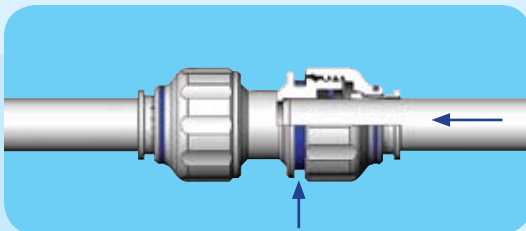
| Thread | Size | Maximum |
|---------|------|---------|
| Plastic | 1/2" | 3.5Nm |
| Plastic | 3/4" | 4Nm |
| Plastic | 1" | 5Nm |

* 1Nm = 8.85lbf .in/1bf .in = 0.01kgf . m

To Lock The Pipe Connection

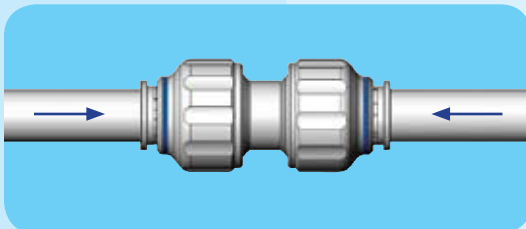


Ensure that the tubing is pushed into the fitting fully past both the collets [gripper] and the 'O' ring and is engaged properly in accordance with the manufacturer's instructions.



Twist the screw cap until coloured line is no longer visible.

This confirms a proper, secure fit. This locks the pipe into position and increases pressure on the 'O' ring seal around the pipe for greater security.



Pull to check it is secure. It is good practice to test the system prior to leaving the site or before use.

If PEX tubing is used, then a tube insert must be used also. The tube insert acts as an internal support for the end of the tubing.

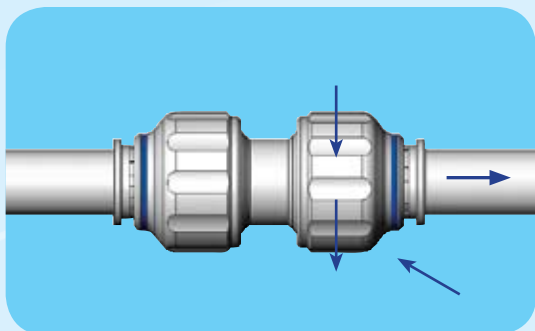
Ensure no scratches, gouges or any form of damage on the circumference of the tubing within one [1] inch [24.4mm] of the cut end. Damage in this area may cause leakage problem.

Check **Twistloc®** fittings for any signs of damage or foreign objects.

When **Twistloc®** fittings have to be disassembled and then reused, ensure that the tubing that was removed from the joint has no damage on the circumference within one [1] inch [25.4mm] of the end. Inspect the tube and fitting for any signs of damage and ensure they are free of foreign materials. **Twistloc®** fittings can then be reassembled.

Ensure **Twistloc®** fittings and pipes are kept clean at all times by keeping them in the bags and boxes provided. Do not empty Twistloc Products onto the floor area.

To Separate the Pipe Connection



Check if the pressure inside the system is released.

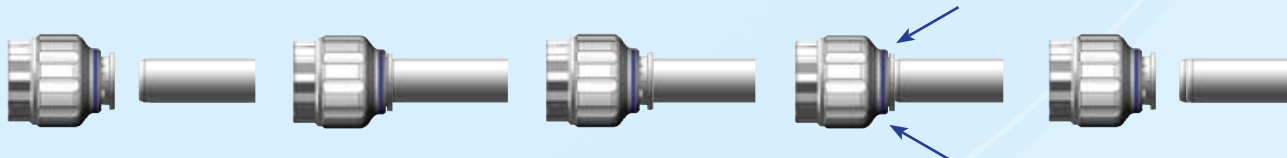
Unlock fitting by twisting until coloured line is visible and clicking sound is heard.

Press collets squarely against the face of the fitting. With collets depressed, pull tubing to remove from fitting. Fitting may be reused.

Stop End

If necessary, the **Twistloc**® Stop End not only provides the permanent leak-prevention sealing effects but also enables immediate removal and system extension for re-work. In particular, this is a Push-in design for easy use.

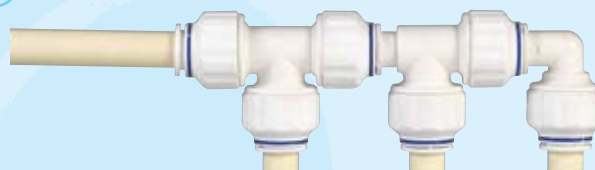
The Stop End is also useful in system pressure testing prior to connection works.



To assemble fully push in the pipe and pull on pipe to ensure security.
To remove simply push the collet into the body and pull to release the pipe.

Mini Manifold

For maximum flexibility **Twistloc**® fittings can be combined to provide multiple functions.



CAUTION

Do not insert fingers into **Twistloc®** fittings as the stainless steel teeth may cause injury.

Twistloc® fittings should not be used for gas, fuel, oil or compressed air applications.

DO NOT allow contact with any chemical or foreign substance; paint strippers, solder flux, Acid based descalents or chemical. The additive customer should be consulted.

Twistloc® fittings are not suitable for buried installation.

All **Twistloc®** fittings and related products should be selected, installed, used and maintained in accordance with these Technical Specifications.

Do not use a damaged or scored pipe.



Do not use a hacksaw to cut a pipe. Do not leave burrs on the pipe.

If the pipe is not fully inserted, the connection cannot be properly sealed even if the fitting is coupled.

You must push in the pipe passing the collets [gripper] and the O-ring inside the fitting.

Warranty Policy

Limited Warranty: **Twistloc**® warrants all products to be free of defects and material and workmanship when used under normal usage in potable water systems, and installed to a pipe which have been produced in conformity with the plumbing and heating standards in accordance with installation instructions provided by **Twistloc**® and plumbing and heating building codes. All **Twistloc**® products, Push-fit fittings carry a period of twenty-five [25] years and Valves are for ten [10] years limited warranty from the date of original shipment from your **Twistloc**® point of purchase. Damage to fittings before, during or after installation from improper assembly, repair and poor maintenance, used in competition or for commercial purposes, caused by use of or exposure to unauthorized chemicals or solvents - inadequate freeze protection - exposure to water temperatures or pressure in excess of limitations set forth in **Twistloc**® installation instructions, shall nullify the terms of this warranty.

Twistloc® must receive notification of a claim of manufacturing defect or failure in writing within applicable warranty period and within thirty [30] days of said defect or failure. All fittings that pertain to claim must be made available to **Twistloc**® at owner's expense for testing and determination of cause. Upon receipt of a warranty claim **Twistloc**® shall have ninety [90] working days in which to determine responsibility for any claims of defects in material or workmanship and the course of action to be taken.

In the event of a failure pertaining to an installed **Twistloc**® fittings and Valves, it is the responsibility of the property owner to obtain and pay for any repairs. Reimbursements for transportation, labour, repairs or other work related to any claims of defective materials are at the sole discretion of **Twistloc**® and must be authorized in writing in advance by **Twistloc**®.

Customers must contact the party whom the customer purchased the product and return the defective product to such party for repairs or replacement, as the case may be. Proof of purchase may be required. Customers are responsible for all shipping charges from their facility to the party from which the customers purchased the products.

WARRANTIES EXCLUSIVE: IF AN **Twistloc®** PRODUCT DOES NOT OPERATE AS WARRANTED ABOVE, CUSTOMER'S SOLE REMEDY SHALL BE REPAIR OR REPLACEMENT OF THE PRODUCT IN QUESTION, AT **Twistloc®** OPTION. THE FOREGOING WARRANTIES AND REMEDIES ARE EXCLUSIVE AND ARE IN LIEU OF ALL OTHER WARRANTIES OR CONDITIONS, EXPRESS OR IMPLIED, EITHER IN FACT OR BY OPERATION OF LAW, STATUTORY OR OTHERWISE, INCLUDING WARRANTIES OR CONDITIONS OF MERCHANTABILITY AND FITNESS FOR A PARTICULAR PURPOSE. **Twistloc®** NEITHER ASSUMES NOR AUTHORIZES ANY OTHER PERSON TO ASSUME FOR IT ANY OTHER LIABILITY IN CONNECTION WITH THE SALE, INSTALLATION, MAINTENANCE OR USE OF ITS PRODUCTS. **Twistloc®** SHALL NOT BE LIABLE UNDER THIS WARRANTY IF ITS TESTING AND EXAMINATION DISCLOSE THE ALLEGED DEFECT IN THE PRODUCT DOES NOT EXIST OR WAS CAUSED BY CUSTOMER'S OR ANY THIRD PERSON'S MISUSE, NEGLIGENCE, IMPROPER INSTALLATION OR TESTING, UNAUTHORIZED ATTEMPTS TO REPAIR, OR ANY OTHER CAUSE BEYOND THE RANGE OF THE INTENDED USE, OR BY ACCIDENT, FIRE, LIGHTNING, OR OTHER HAZARD.

LIMITATION OF LIABILITY: IN NO EVENT, WHETHER BASED IN CONTRACT OR TORT [INCLUDING NEGLIGENCE], SHALL **Twistloc®** BE LIABLE FOR INCIDENTAL, CONSEQUENTIAL, INDIRECT, SPECIAL, OR PUNITIVE DAMAGES OF ANY KIND, OR FOR LOSS OF REVENUE, LOSS OF BUSINESS, OR OTHER FINANCIAL LOSS ARISING OUT OF OR IN CONNECTION WITH THE SALE, INSTALLATION, MAINTENANCE, USE, PERFORMANCE, FAILURE, OR INTERRUPTION OF ITS PRODUCTS, EVEN IF **Twistloc®** OR ITS AUTHORIZED RESELLER HAS BEEN ADVISED OF THE POSSIBILITY OF SUCH DAMAGES.

SOME COUNTRIES DO NOT ALLOW THE EXCLUSION OF IMPLIED WARRANTIES OR THE LIMITATION OF INCIDENTAL OR CONSEQUENTIAL DAMAGES FOR CONSUMER PRODUCTS, SO THE ABOVE LIMITATIONS AND EXCLUSIONS MAY NOT APPLY TO YOU.

Technical Assistance

To assist our customers we have a staff dedicated to providing technical assistance. We can provide assistance in new technologies.

AUTHORIZED DISTRIBUTOR